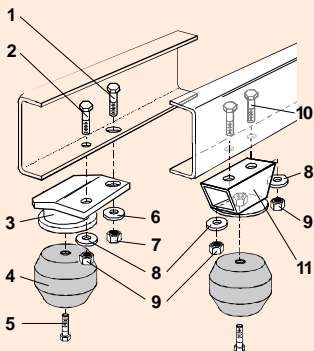


# TIMBREN SES

Suspension Enhancement Systems

## FF1504H



For more information contact our  
Customer Service Department:  
800-263-3113  
sales@timbren.com

